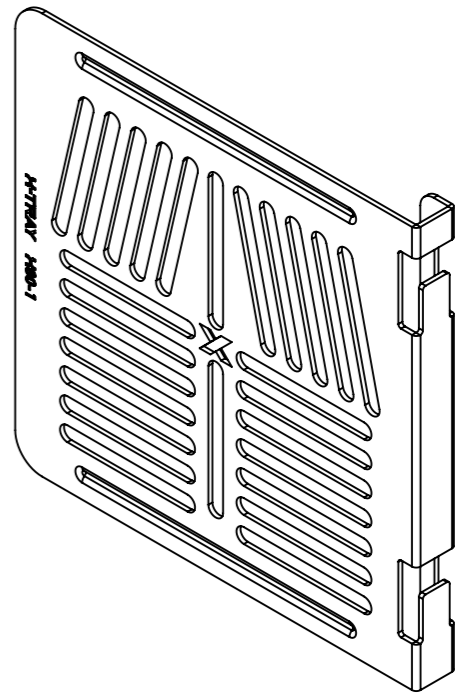
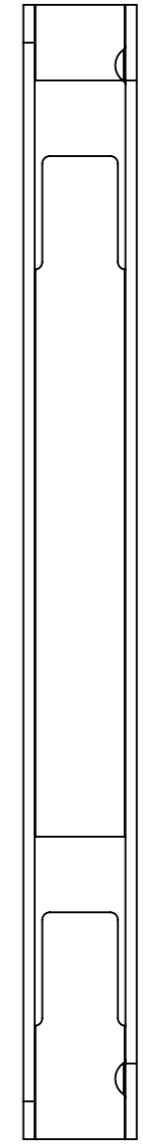
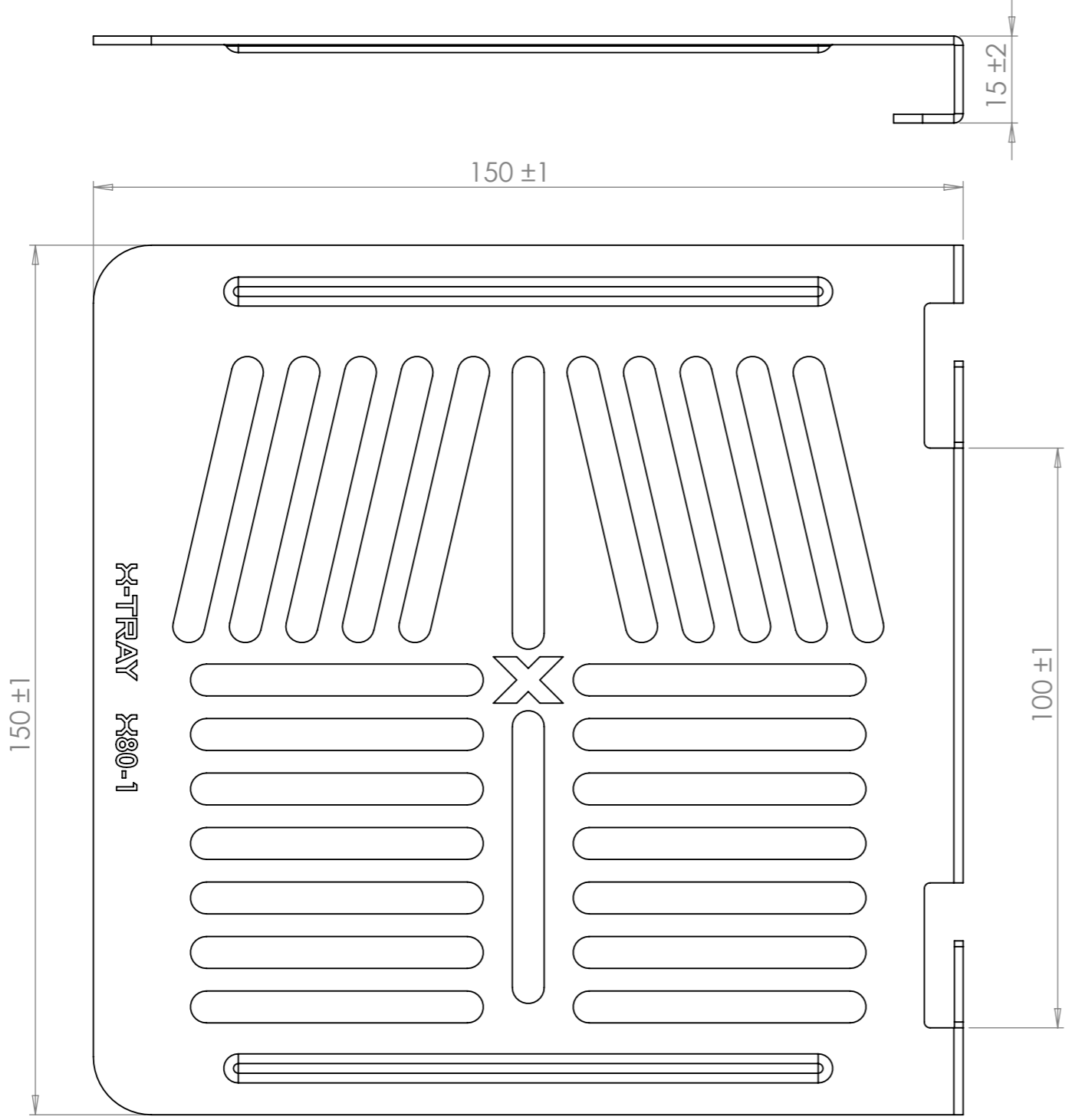


Attention:
Stamping and embossings are not included in part number: 2380-1

REVISIONS				
ZONE	REV.	DESCRIPTION	DATE	APPROVED
	B	E-number added	2019-07-30	joan
	C	Inserted an attention box.	2019-11-27	Klan



Part Number	E-number	Type
2180-1	1132920	Zink Plated DIN 50961
2280-1	1132921	Hot Dip galvanized DIN 50979
2380-1	1132922	Acid Proof AISI 316L
2780-1	1132923	Black Zinc Fe/Zn8/P4



C-number	
Description	X80 Side Accessories Holder
Unless otherwise specified: SS-ISO 2768-1 MEDIUM	

Material	Domex 240	Finish / Color		Created By	svma
Part / Assembly-ID	Default(A-0008570)	Rev.	B.0	Sheet Name	Sheet1
Drawing-ID	KR-2080-1	Rev.	C.1	Sheet	A3
Weight (calculated)	209 g	Scale	1:2	Created	2015-12-16
				Changed	2019-11-27
					Klan

