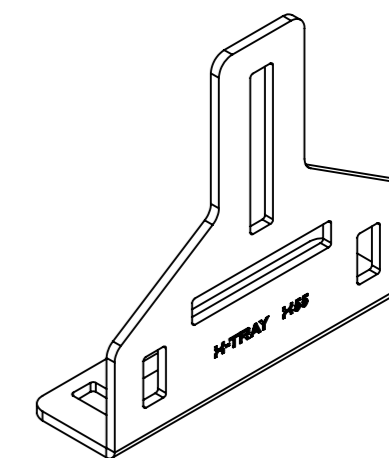
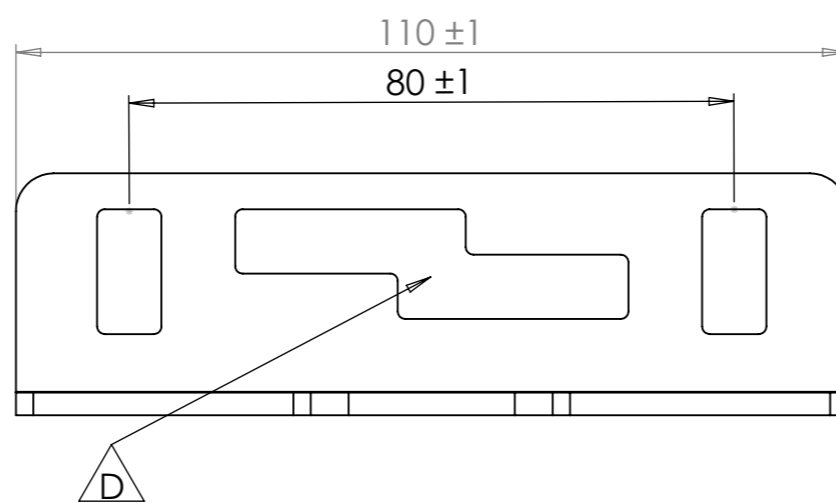
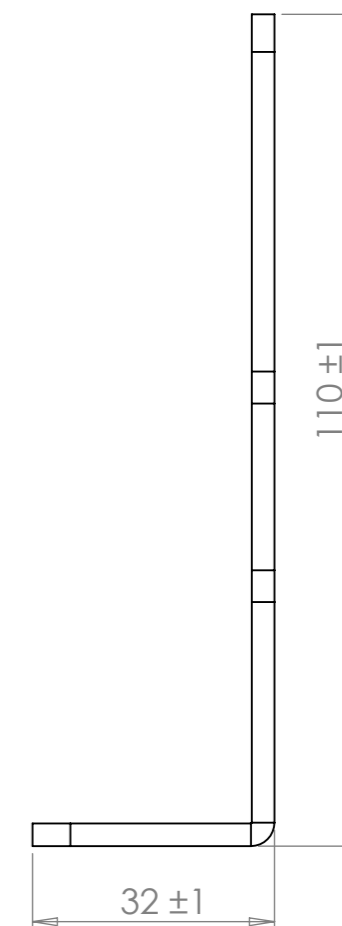
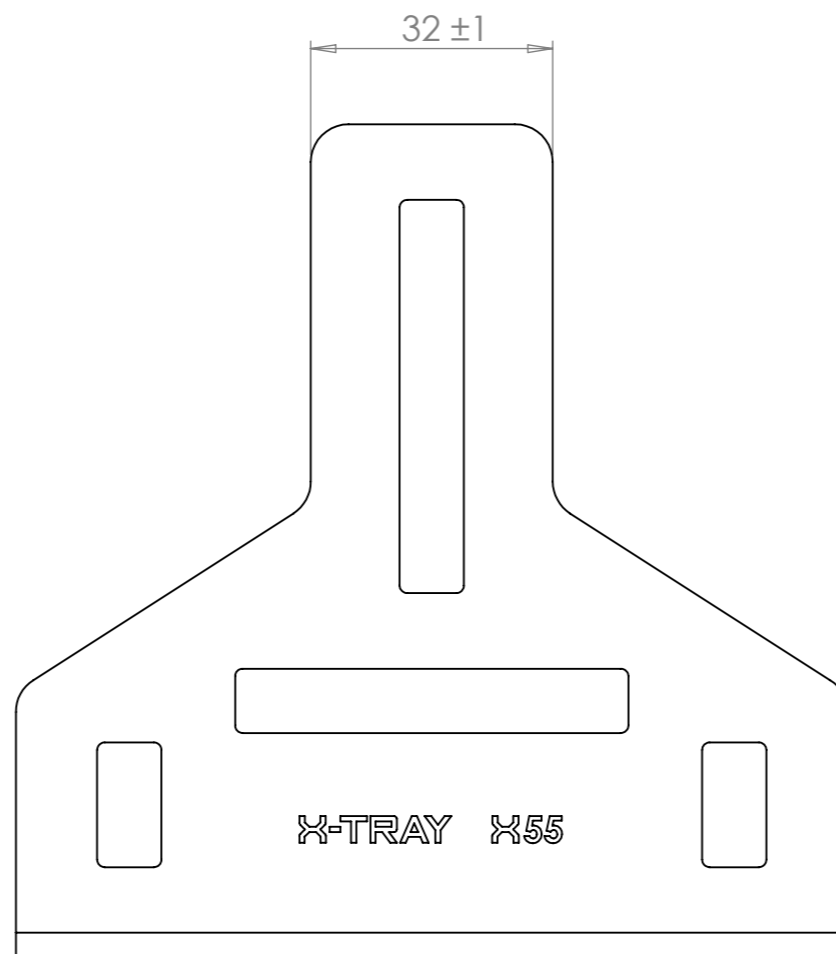


REVISIONS				
ZONE	REV.	DESCRIPTION	DATE	APPROVED
	C	E-number added	2019-07-30	joan
B6	D	New shape on hole	2022-03-21	svma



Article number	E-number	Type
2155	1132916	Zink plated DIN 50961
2255	1132917	Zinc-Nickel DIN 50979
2355	1132918	Acid proof AISI 316L
2755	1132919	Black Zinc Fe/Zn8/P4



C-number C-0005662-01
Description X55 U-Bar Angle Fitting
Unless otherwise specified: SS-ISO 2768-1 MEDIUM

Material	Part / Assembly-ID	Rev.	Sheet Name	Created By
Default(A-0004728)	B.3	Sheet1	2015-08-17	suem
Drawing-ID	Rev.	Sheet	Changed	
KR2055	D.1	A3	2022-03-21	svma
Weight (calculated)	Scale	1:1		
200 g				

