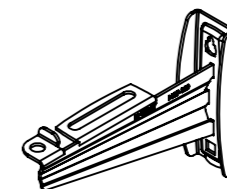
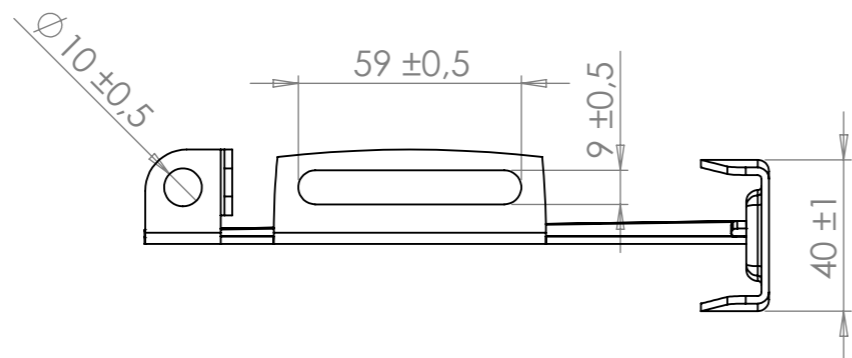
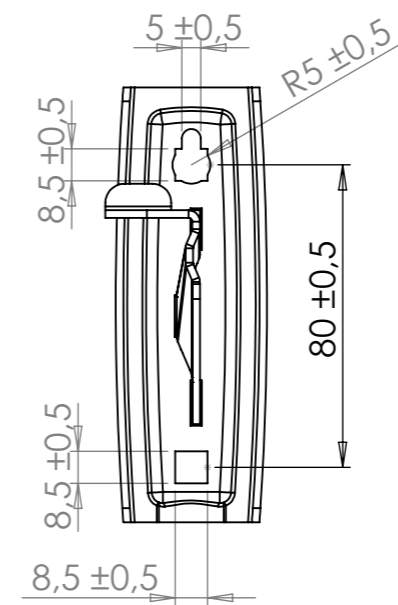
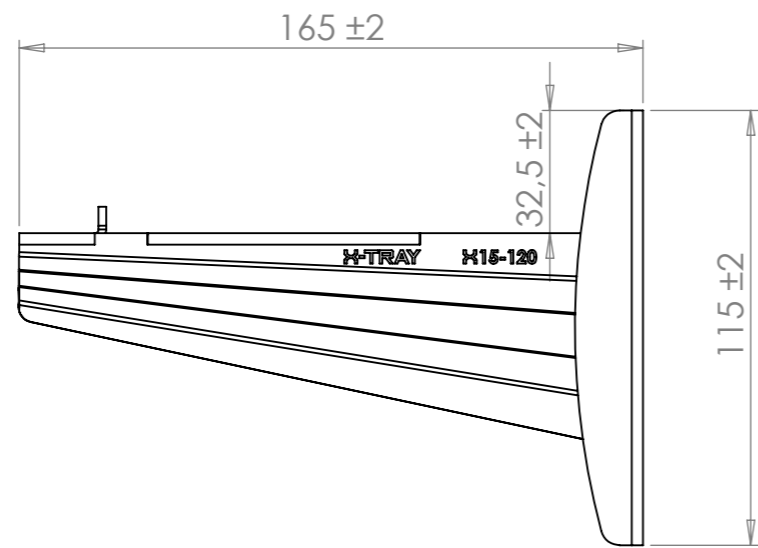


REVISIONS				
ZONE	REV.	DESCRIPTION	DATE	APPROVED
	D	E-number added	2019-07-31	joan



Part Number	E-number	Type
2115-120	1133226	Zink Plated DIN 50961
2215-120	1133278	Hot Dip galvanized DIN 50979
2315-120	1133332	Acid Proof AISI 316L
2715-120	1133396	Black Zinc Fe/Zn8/P4

© 2018 Axellent AB



C-number  
**C-0007368-01**

Description  
**X15 Cantilever 120**

Unless otherwise specified: SS-ISO 2768-1 MEDIUM

Material	Finish / Color	Created By
Material <not specified>		svma
Part / Assembly-ID	Rev.	Sheet Name
Default(A-0008712)	C.1	Sheet1
Drawing-ID	Rev.	Sheet
KR-2015-120	D.1	A3
Weight (calculated)	Scale	2019-07-31
239 g	1:2	joan

