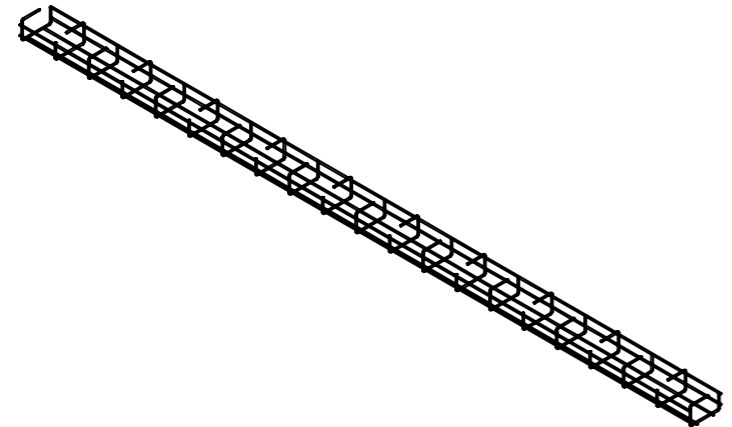
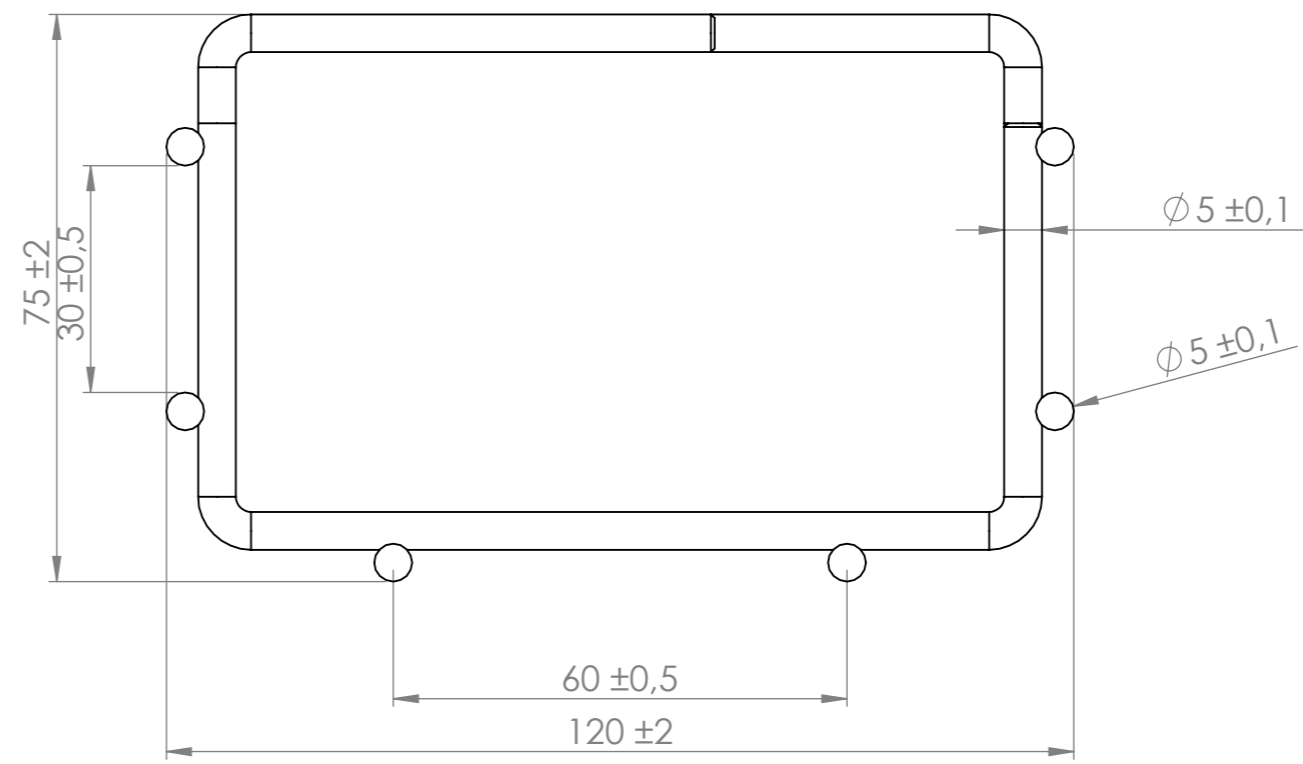
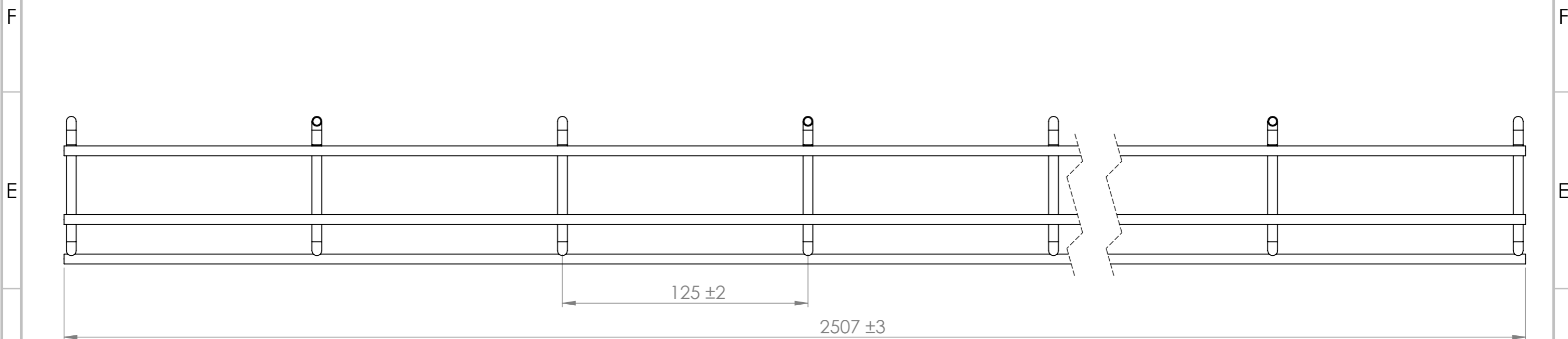


8 7 6 5 4 3 2 1

REVISIONS				
ZONE	REV.	DESCRIPTION	DATE	APPROVED
	A	E-Number	2020-10-28	svma



Part No.	E-Number	Surface Treatment
1144	1133069	Zinc Plated
1344	1133070	Acid Proof 316L
1444	1133071	Stainless Steel 304L



DWG NO. / ART NO.
 Description
X-Tray Z120x75x5x2500
 Unless otherwise specified: SS-ISO 2768-1 MEDIUM

Version	Material	Finish / Color	Created By
B.1	Default(1044)	Sheet1	joan
	Drawing-ID	Sheet	Created.
	1044-KR	A3	2017-06-13
	Weight (calculated)	Scale	Changed.
	3232.61 g	1:1	2020-10-28 svma

8 7 6 5 4 3 2 1