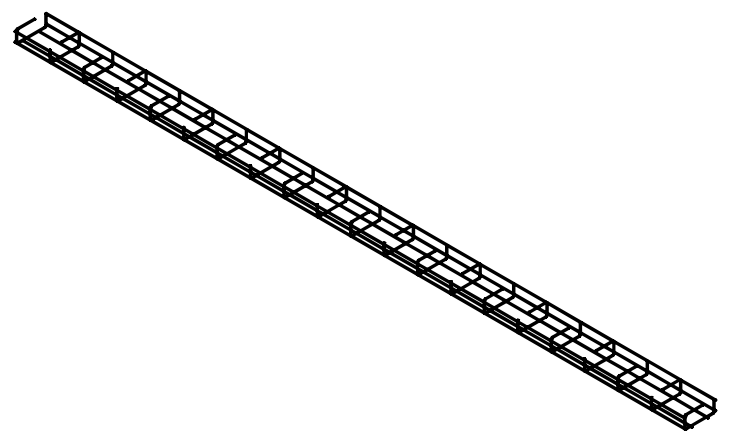
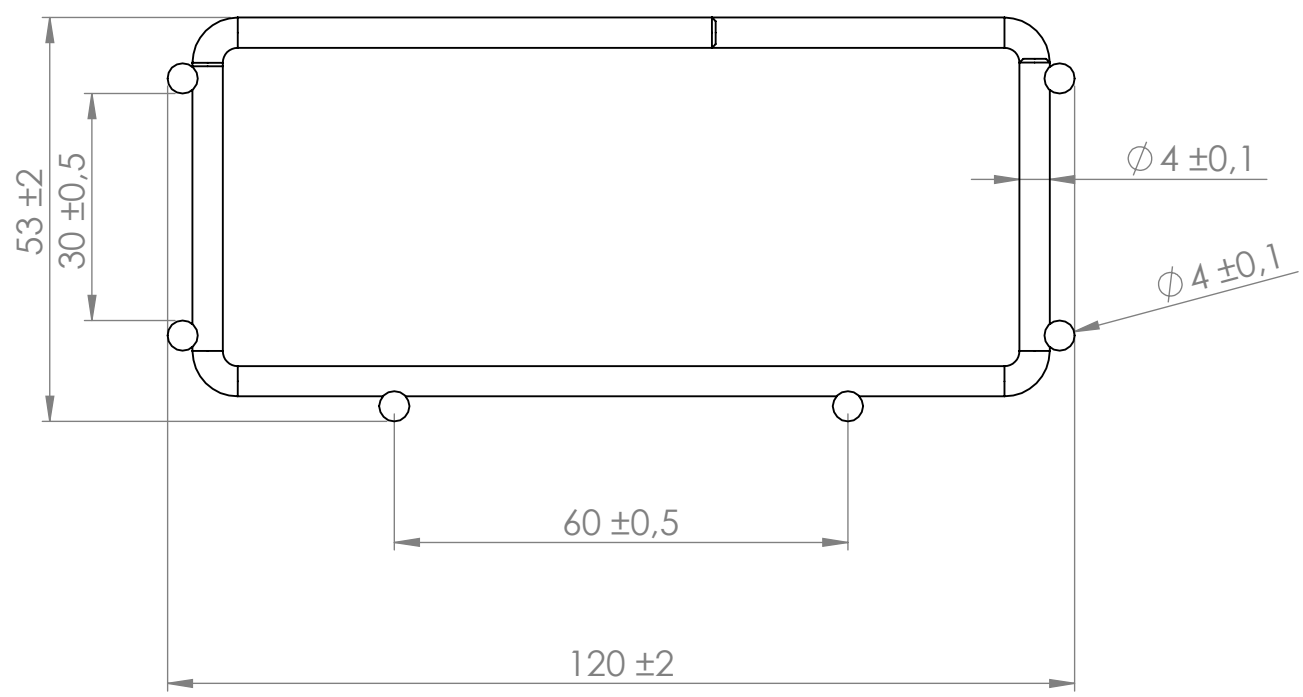
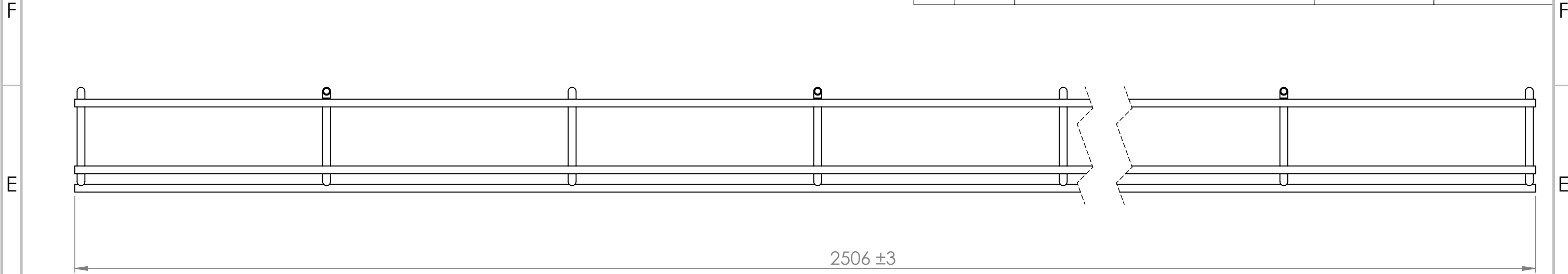


8 7 6 5 4 3 2 1

REVISIONS				
ZONE	REV.	DESCRIPTION	DATE	APPROVED
	A	E-Number	2020-10-28	svma



Part No.	E-Number	Surface Treatment
1143	1133066	Zinc Plated
1343	1133067	Acid Proof 316L
1443	1133068	Stainless Steel 304L



DWG NO. / ART NO.	Version B.1	Material	Finish / Color	Created By joan
Description		Part-ID Default(1043)	Sheet Name Sheet1	Created. 2017-06-13
X-Tray Z120x53x4x2500		Drawing-ID 1043-KR	Sheet A3	Changed. 2020-10-28 svma
Unless otherwise specified: SS-ISO 2768-1 MEDIUM		Weight (calculated) 2012.72 g	Scale 1:1	

8 7 6 5 4 3 2 1