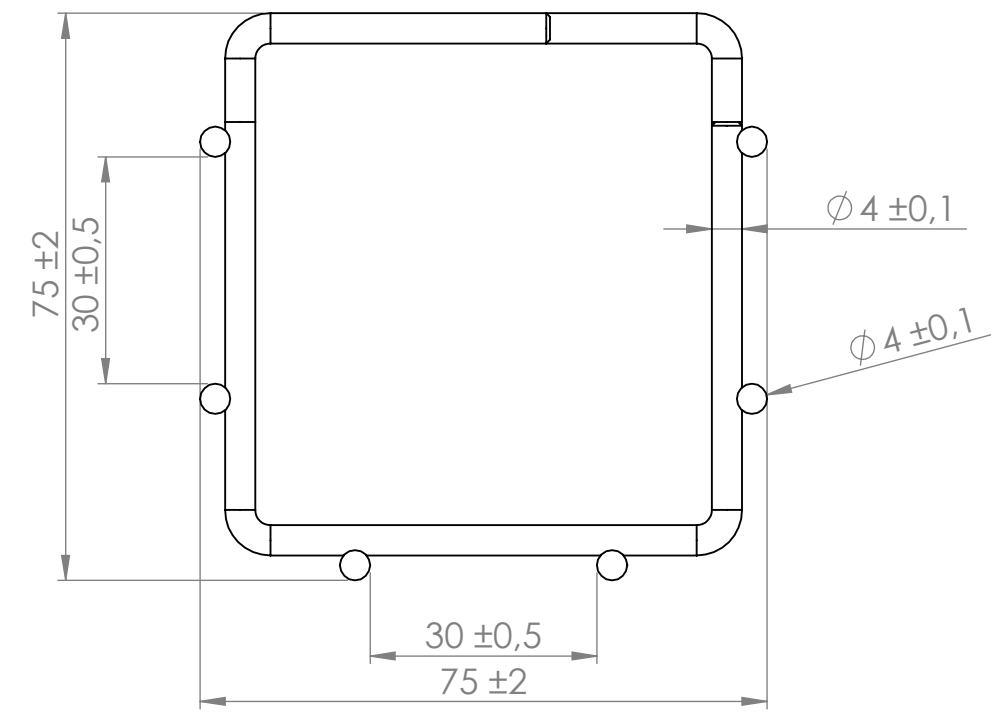
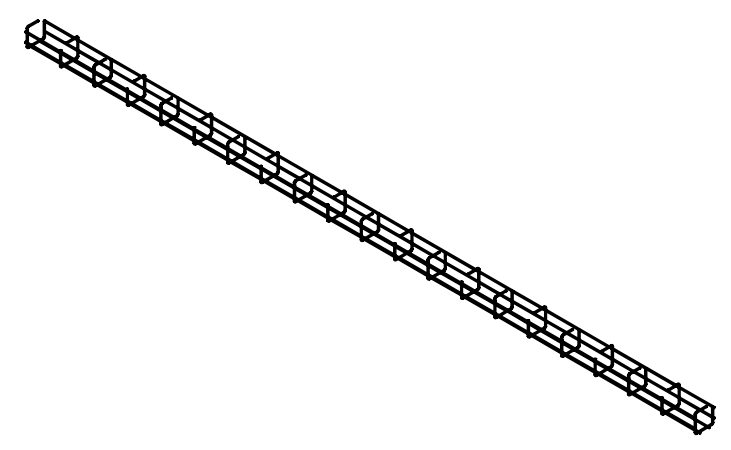
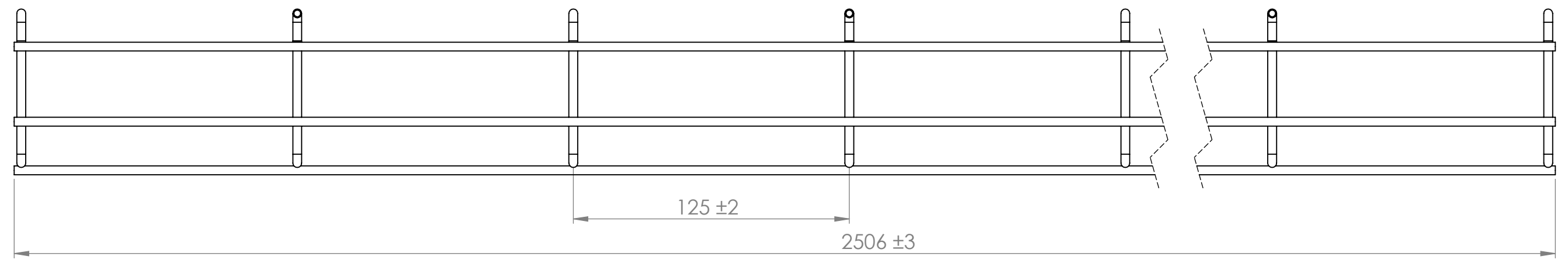


8 7 6 5 4 3 2 1

| REVISIONS | | | | |
|-----------|------|-------------|------------|----------|
| ZONE | REV. | DESCRIPTION | DATE | APPROVED |
| | A | E-Number | 2020-10-28 | svma |



| Part No. | E-Number | Surface Treatment |
|----------|----------|----------------------|
| 1142 | 1133063 | Zinc Plated |
| 1342 | 1133064 | Acid Proof 316L |
| 1442 | 1133065 | Stainless Steel 304L |



| | | | | |
|--|----------------|----------------------------------|----------------------|-----------------------------|
| DWG NO. / ART NO. | Version B.1 | Material | Finish / Color | Created By joan |
| Description | | Part-ID Default(1042) | Sheet Name Sheet1 | Created. 2017-06-13 |
| X-Tray Z75x75x4x2500 | | Drawing-ID 1042-KR | Sheet A3 | Changed. 2020-10-28 svma |
| Unless otherwise specified: SS-ISO 2768-1 MEDIUM | | Weight (calculated) 1935.89 g | Scale 1:1 | |

8 7 6 5 4 3 2 1