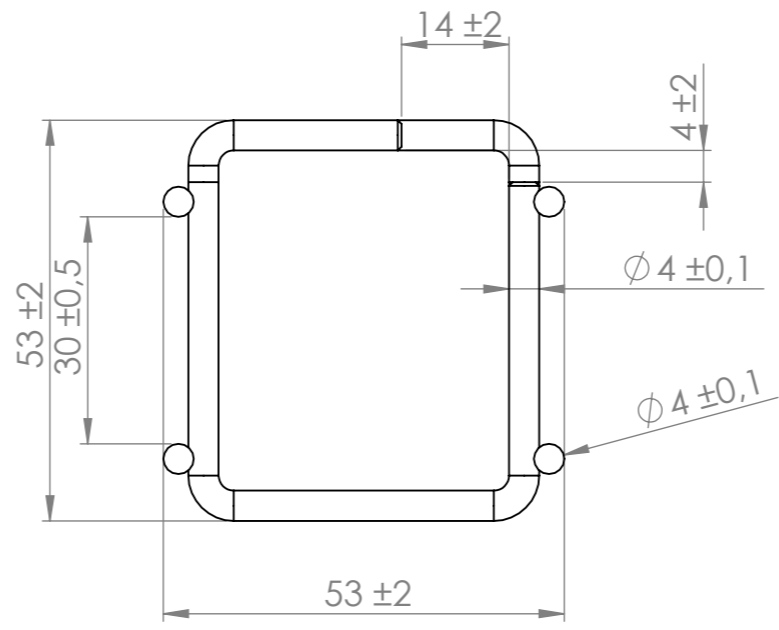
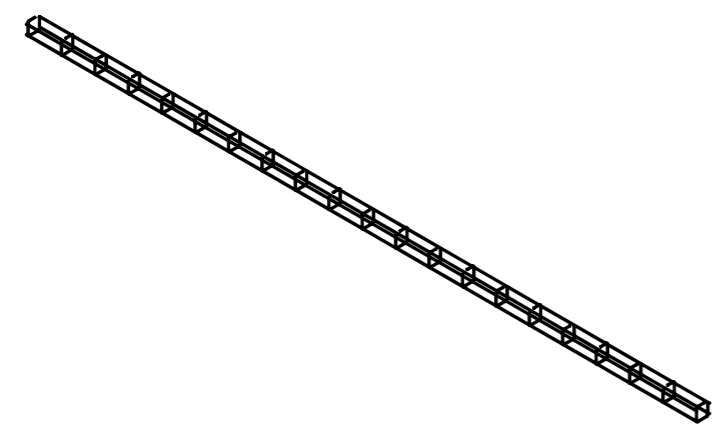
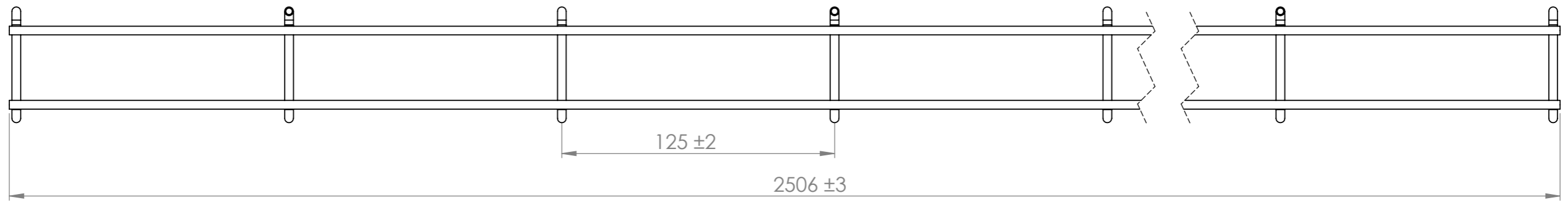
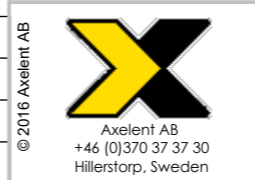


8 7 6 5 4 3 2 1

REVISIONS				
ZONE	REV.	DESCRIPTION	DATE	APPROVED
	A	E-Number	2020-10-28	svma



Part No.	E-Number	Surface Treatment
1141	1133060	Zinc Plated
1341	1133061	Acid Proof 316L
1441	1133062	Stainless Steel 304L



DWG NO. / ART NO.	Version B.1	Material	Finish / Color	Created By joan
Description	X-Tray Z53x53x4x2500	Part-ID Default(1041)	Sheet Name Sheet1	Created. 2017-06-13
Unless otherwise specified: SS-ISO 2768-1 MEDIUM		Drawing-ID 1041-KR	Sheet A3	Changed. 2020-10-28 svma
		Weight (calculated) 1308.88 g	Scale 1:1	

8 7 6 5 4 3 2 1