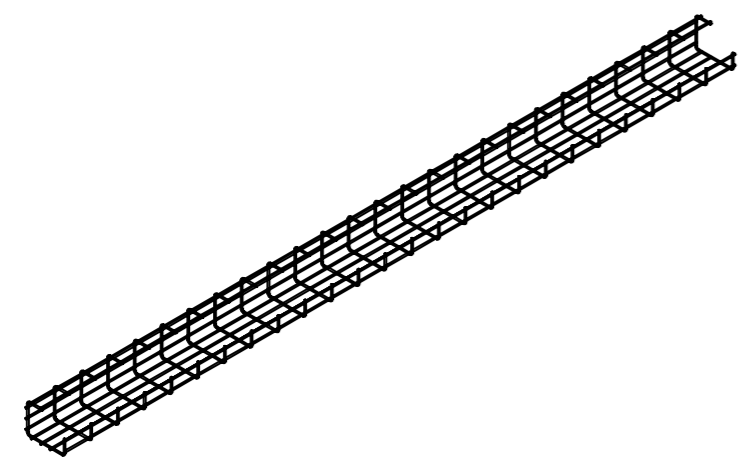
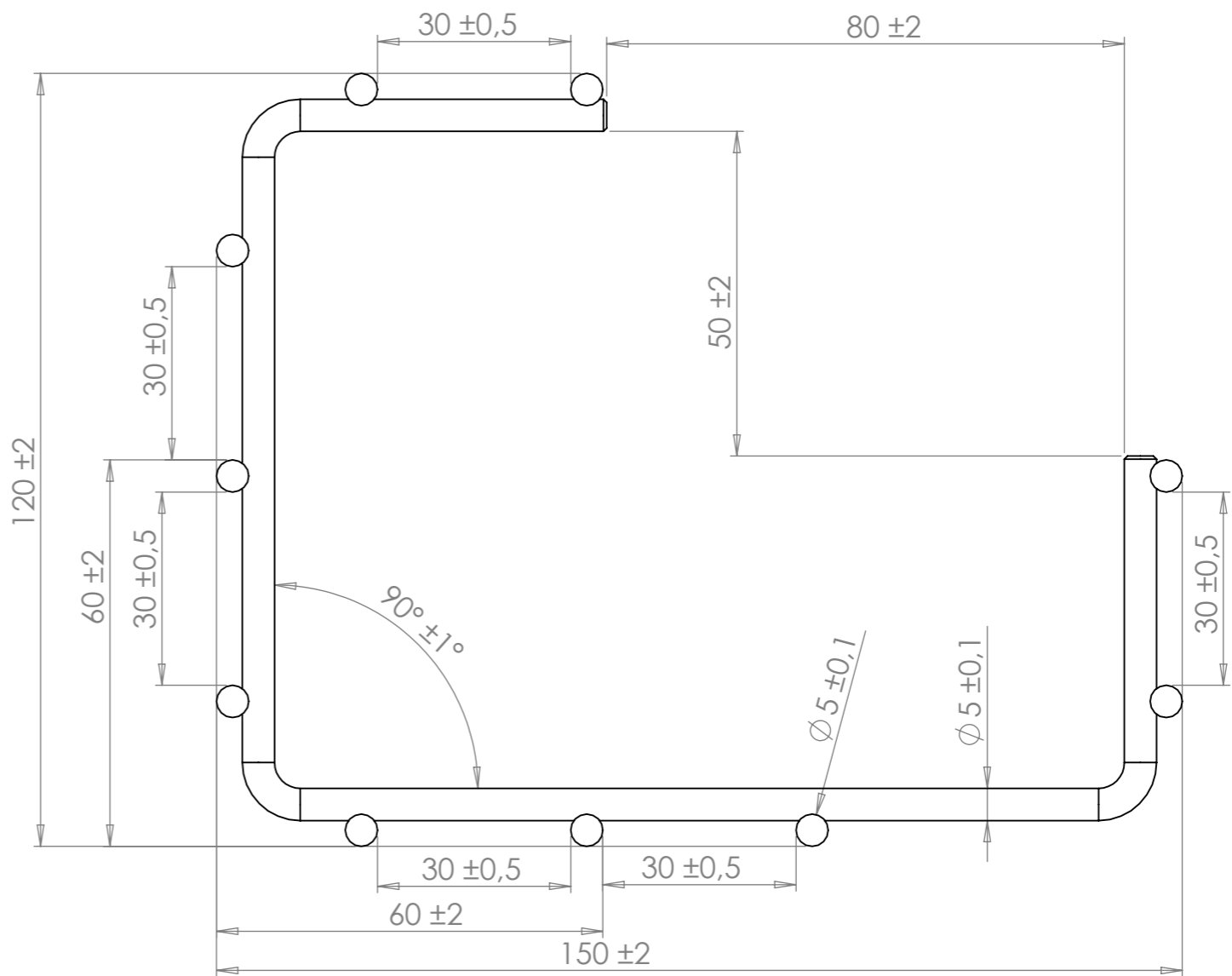
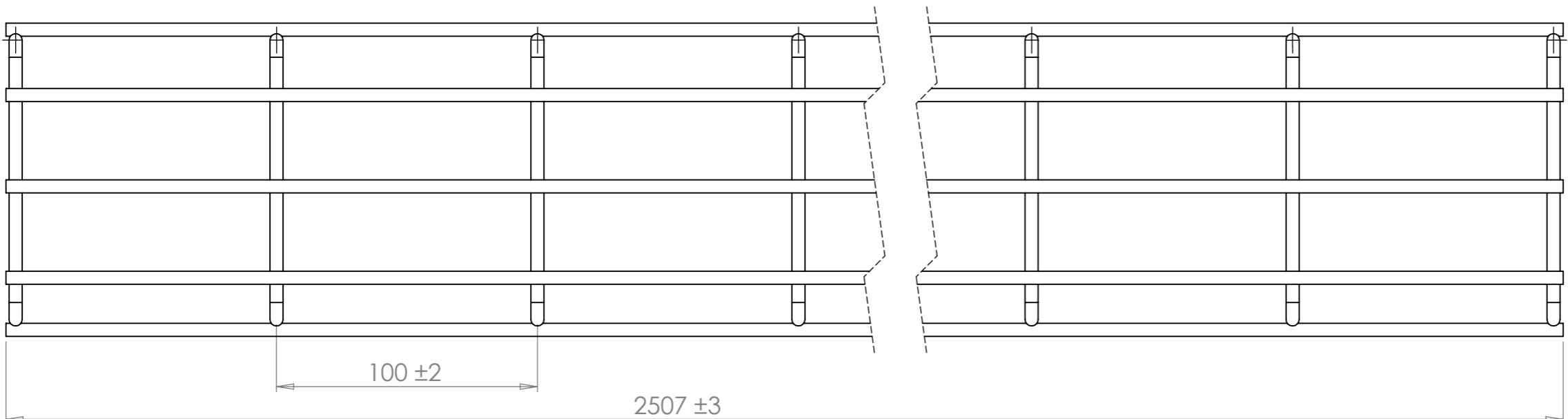


8 7 6 5 4 3 2 1

REVISIONS				
ZONE	REV.	DESCRIPTION	DATE	APPROVED
	A	E-Number	2020-10-28	svma



Part Number	E-Number	Surface
1122	1133174	Zink plated DIN 50961
1222	1133183	Hot dip galvanized DIN 50979
1322	1133191	Acid proof AISI 316L
1422	1133199	Stainless Steel AISI 304L



C-number	C-0006435-01
Description	X-Tray G150x120x2500
Unless otherwise specified: SS-ISO 2768-1 MEDIUM	

Material	Part / Assembly-ID	Rev.	Sheet Name	Created By
	Default(A-0006783)	A.0	Sheet1	svem
	Drawing-ID	Rev.	Sheet	Created
	KR-1022	B.1	A3	2011-08-08
Weight (calculated)	Scale			Changed
5,22 kg	1:20			2020-10-28 svma

8 7 6 5 4 3 2 1