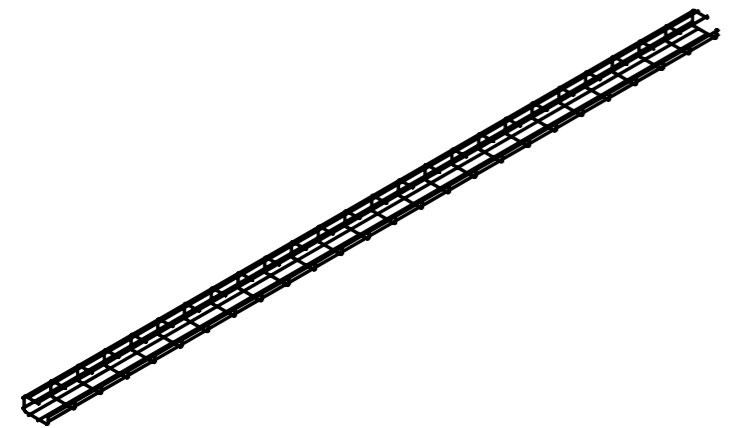
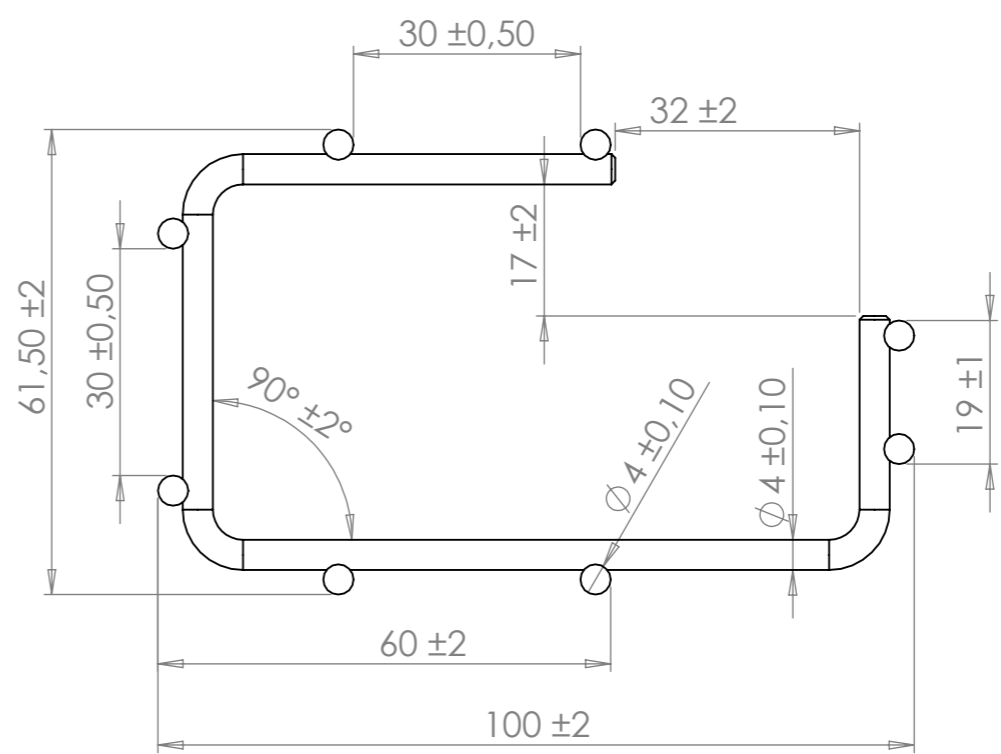
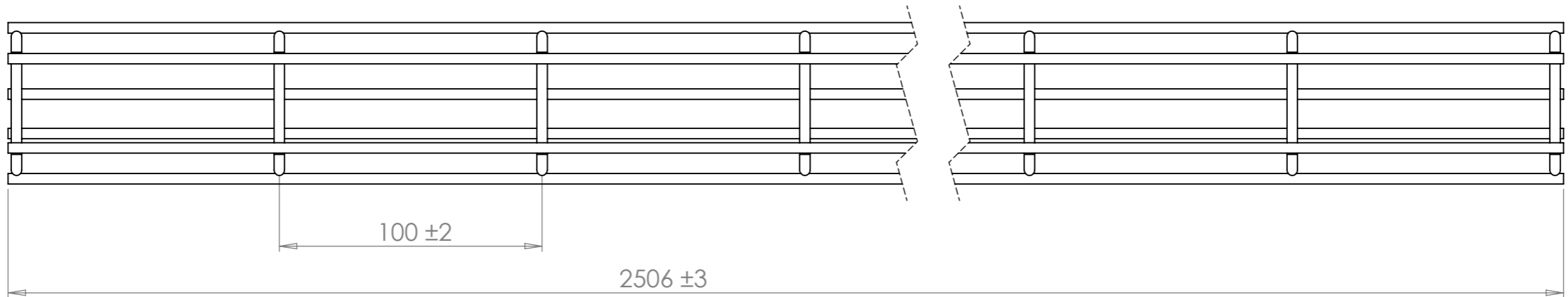


8 7 6 5 4 3 2 1

REVISIONS				
ZONE	REV.	DESCRIPTION	DATE	APPROVED
	A	E-Number	2020-10-28	svma



Part Number	E-Number	Surface
1121	1133173	Zink plated DIN 50961
1221	1133182	Hot dip galvanized DIN 50979
1321	1133190	Acid proof AISI 316L
1421	1133198	Stainless Steel AISI 304L



C-number	
Description	X-Tray G60x100x2500
Unless otherwise specified: SS-ISO 2768-1 MEDIUM	

Part / Assembly-ID	Rev.	Sheet Name	Created By
Default(A-0006779)	A.0	Sheet1	suem
Drawing-ID	Rev.	Sheet	Created
KR-1021	B.1	A3	2011-08-04
Weight (calculated)	Scale		Changed
2,53 kg	1:20		2020-10-28 svma

8 7 6 5 4 3 2 1