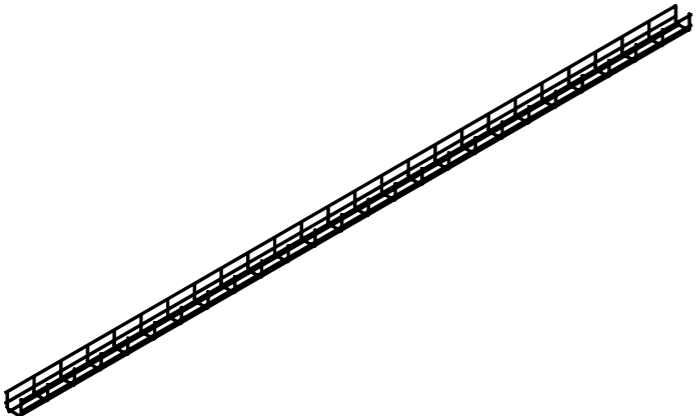
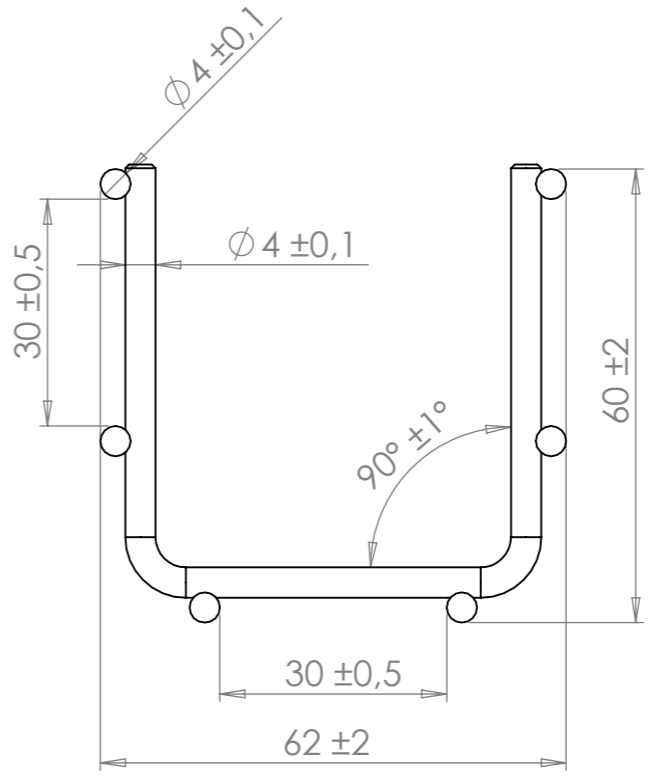
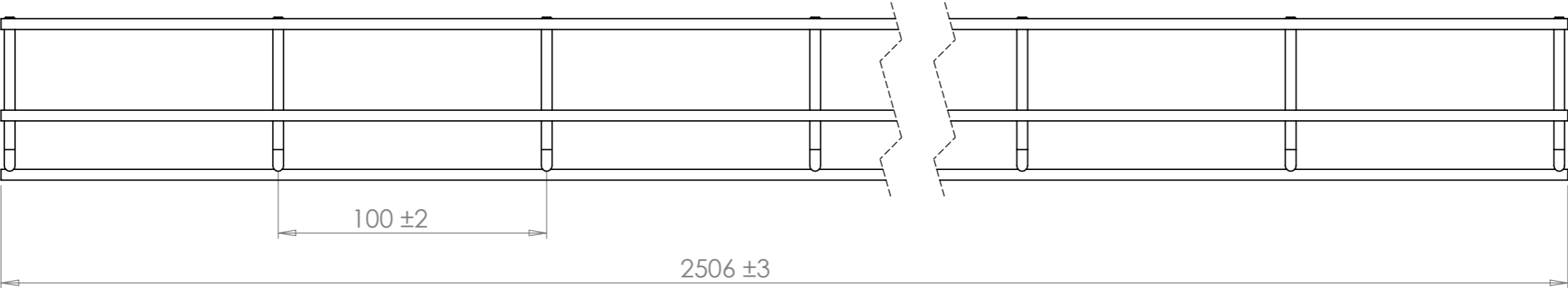


8 7 6 5 4 3 2 1

REVISIONS				
ZONE	REV.	DESCRIPTION	DATE	APPROVED
	A	E-Number	2020-10-27	svma



F
E
D
C
B
A

F
E
D
C
B
A

Part Number	E-Number	Surface
0101	1133100	Zink plated DIN 50961
0201	1133114	Hot dip galvanized DIN 50979
0301	1133128	Acid proof AISI 316L
0401	1133142	Stainless Steel AISI 304L



C-number C-0005766-01	Material Default(A-0005038)	Finish / Color A.0	Created By suem
Description X-Tray 60x60x2500	Drawing-ID KR-0001	Rev. B.1	Created 2011-08-09
Unless otherwise specified: SS-ISO 2768-1 MEDIUM	Weight (calculated) 1,88 kg	Scale 1:20	Changed 2022-11-24

Part / Assembly-ID Default(A-0005038)	Rev. A.0	Sheet Name Sheet1	Created 2011-08-09
Drawing-ID KR-0001	Rev. B.1	Sheet A3	Changed 2022-11-24
Weight (calculated) 1,88 kg	Scale 1:20		

Vendelva, Edberg

8 7 6 5 4 3 2 1