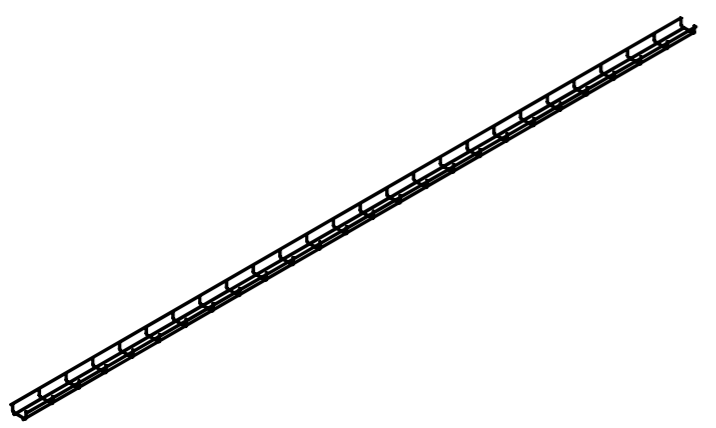
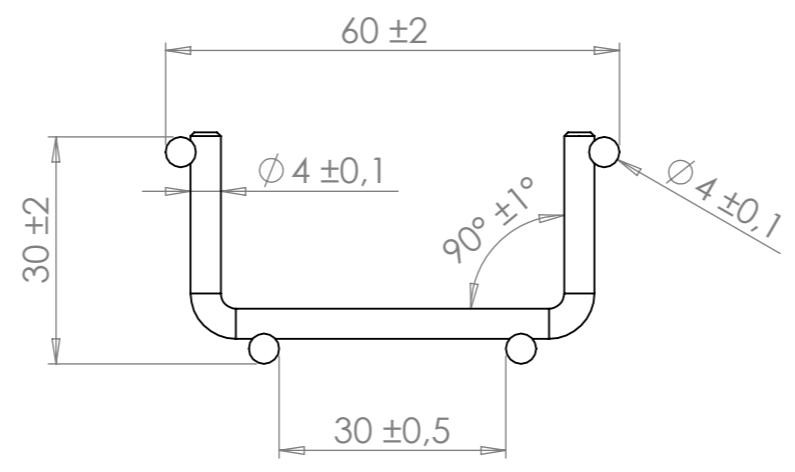
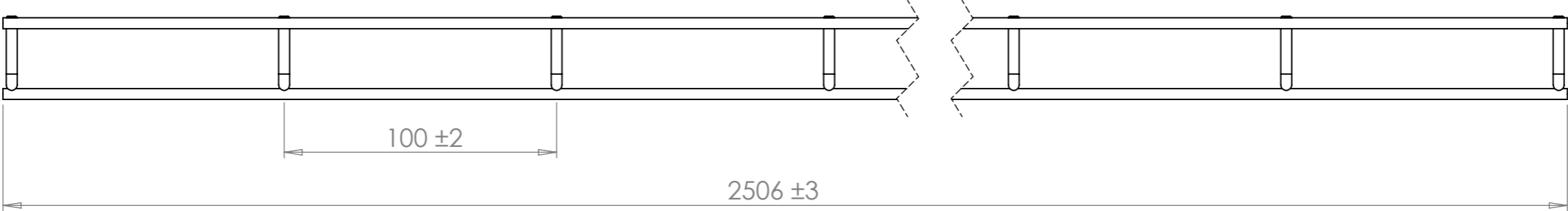


8 7 6 5 4 3 2 1

REVISIONS				
ZONE	REV.	DESCRIPTION	DATE	APPROVED
	A	E-Number	2020-10-28	svma

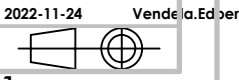


Part Number	E-Number	Surface
0100	1133029	Zink plated DIN 50961
0200	1133036	Hot dip galvanized DIN 50979
0300	1133043	Acid proof AISI 316L
0400	1133050	Stainless Steel AISI 304L



C-number	C-0005769-01
Description	X-Tray 60x30x2500
Unless otherwise specified: SS-ISO 2768-1 MEDIUM	

Material	Part / Assembly-ID	Rev.	Sheet Name	Created By
	Default(A-0005040)	A.0	Sheet1	suem
	Drawing-ID	Rev.	Sheet	Created
	KR-0000	B.1	A3	2015-04-07
Weight (calculated)	Scale	Changed		
0 1,23 kg	1:20	2022-11-24		



8 7 6 5 4 3 2 1